

Pressure Filter

Liquid filtration with advantages not available in other products, an ALSI pressure filter is simple in design and high in performance. Engineered to function with few moving parts or the troublesome complexities of carrier belts, pulleys, or moving upper shell filter chambers.

Pneumatically driven doors seal the ends of the chamber stretching and sealing media over a screen within the housing. Contaminated fluid is pumped into the filter chamber and forced through the media. Clean filtrate is discharged from the bottom section under pressure.

As solids accumulate on the filter media, chamber pressure rises to meet a preset limit; the pump then stops and an automatic air blow-down is initiated. This dries the solids. The doors then open to introduce fresh media at one end, while discharging the spent media and solids out the other end. Solids are scraped and dropped into a receptacle and the used media is re-wound for easy disposal or re-use.



View from clean media side



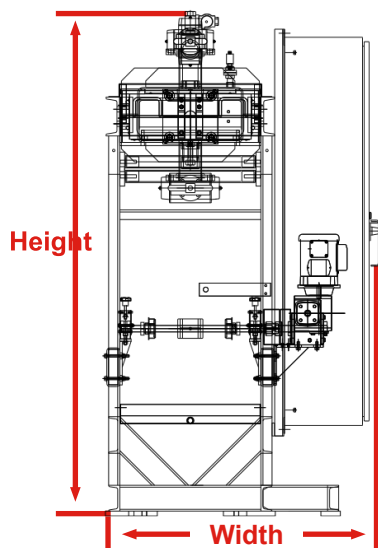
Pressure Filter with locally mounted controls

Applications

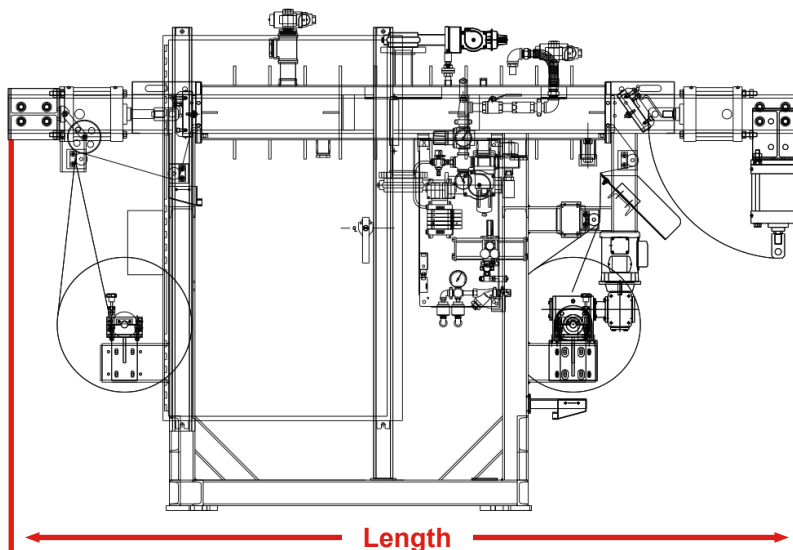
- Alkaline/caustic cleaner baths
- Inclined plate clarifier overflows
- Coolant filtration
- Filter press replacement
- Phosphate pretreatment
- Plating baths
- Wastewater treatment systems

Technical Data

Media Feed End View



Side Elevation View



Model No.		ALPF3.5	ALPF4.5	ALPF6	ALPF7.5	ALPF9	ALPF12	ALPF15
Filter Area	sq. ft. m2	3.5 0.325	4.5 0.418	6 0.557	7.5 0.697	9 0.836	12 1.11	15 1.39
Media Width	in. cm	12.75 32.38	12.75 32.38	25.5 64.77	25.5 64.77	25.5 64.77	25.5 64.77	36 91
Dimensions LxWxH	ft. m	8x3x5.5 2.4x.9x1.7	9x3x5.5 2.7x9x1.7	7.5x4x5.5 2.3x1.2x1.7	8.5x4x5.5 2.6x1.2x1.7	9x4x5.5 2.7x1.2x1.7	10.5x4x5.5 2.2x1.2x1.7	9.5x5.5x6 2.9x1.7x1.8
Nominal Flow	GPM m3/h	70 16	90 20	120 27	150 34	180 41	180 41	300 68
Model No.		ALPF18	ALPF21	ALPF24	ALPF28	ALPF32	ALPF36	ALPF40
Filter Area	sq. ft. m2	18 1.67	21 1.95	24 2.23 m2	28 2.60	32 2.97	36 3.34	40 3.72
Media Width	in. cm	36 91	51 130	51 130	51 130	51 130	51 130	51 130
Dimensions LxWxH	ft. m	10.5x5.5x6 2.2x1.7x1.8	9.5x6.5x6 2.9x1.98x1.8	10x6.5x6 3x1.98x1.8	11x6.5x6 3.35x1.98x1.8	12.5x6.5x6 3.81x1.98x1.8	13.5x6.5x6 4.1x1.98x1.8	14x6.5x6 4.26x1.98x1.8
Nominal Flow	GPM m3/h	360 82	420 95	480 109	560 127	640 145	720 163	800 182

Scan here to visit our website.

